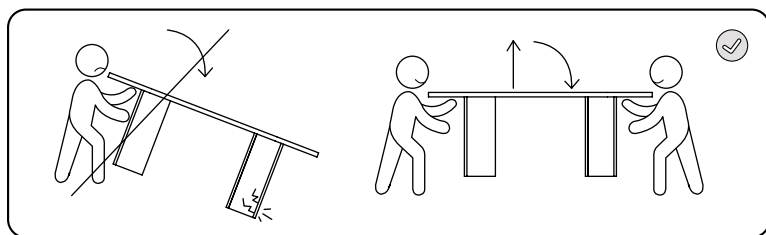
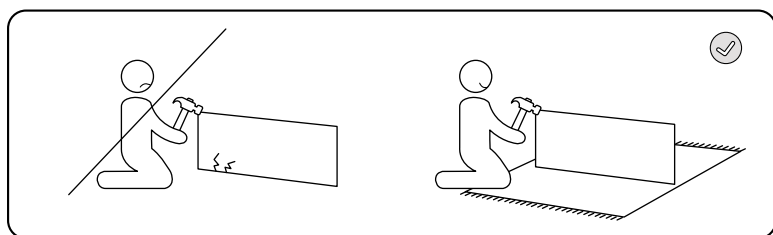
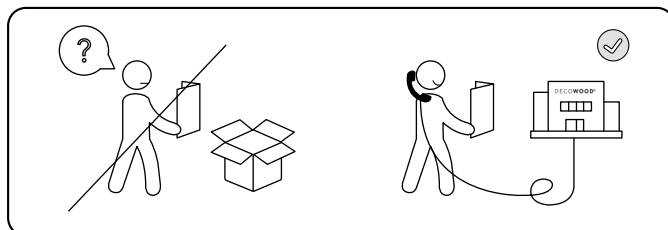
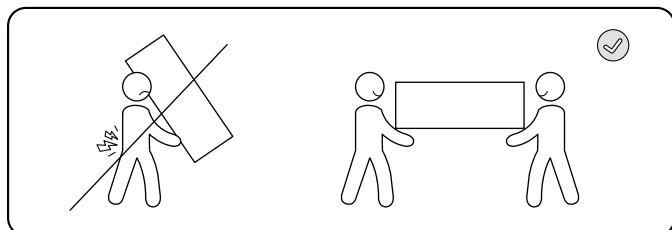




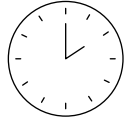
The wood tailor

MOBILIARIO SOSTENIBILE

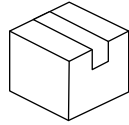


The wood tailor

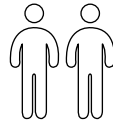
MOBILIARIO SOSTENIBLE



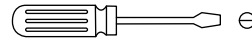
25 min



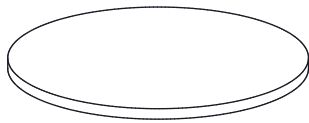
x2



x2



x1



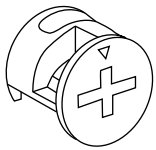
A x1



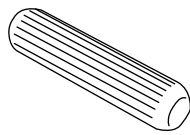
B x2



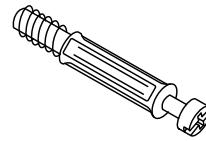
C x1



D x8
Ø15mm



E x12
Ø8x30mm



F x8
M6x40mm

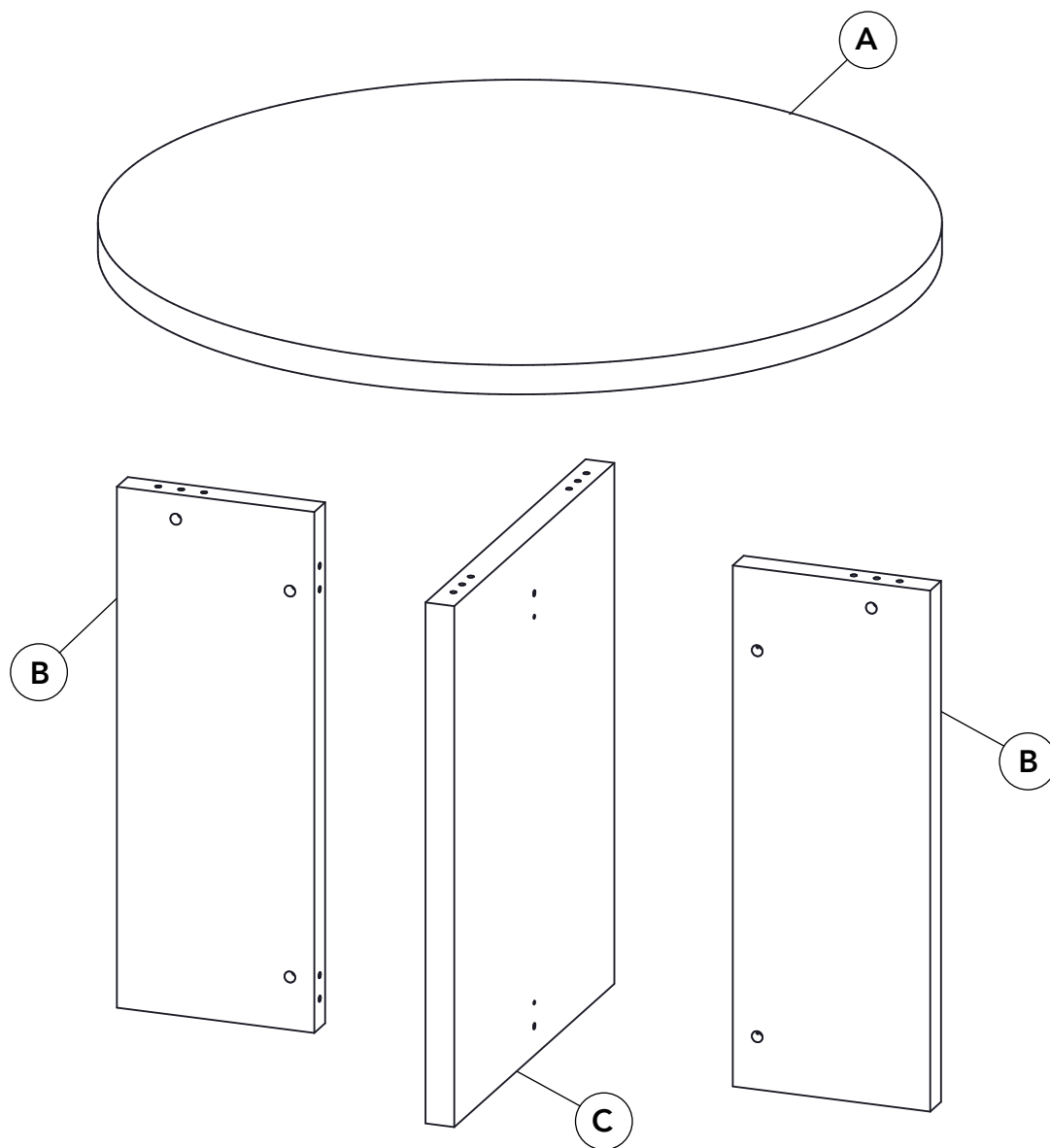


G x8

ESP: Solo para patas de microcemento.
EN: Only for microcement legs.

The wood tailor

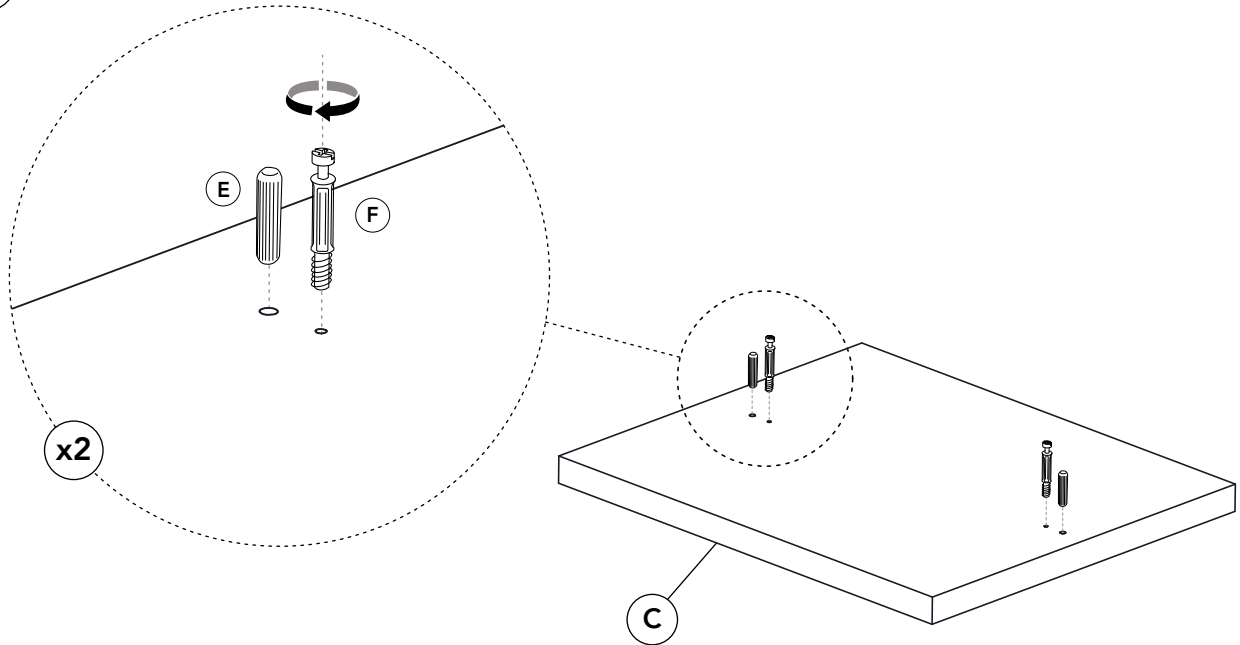
MOBILIARIO SOSTENIBLE



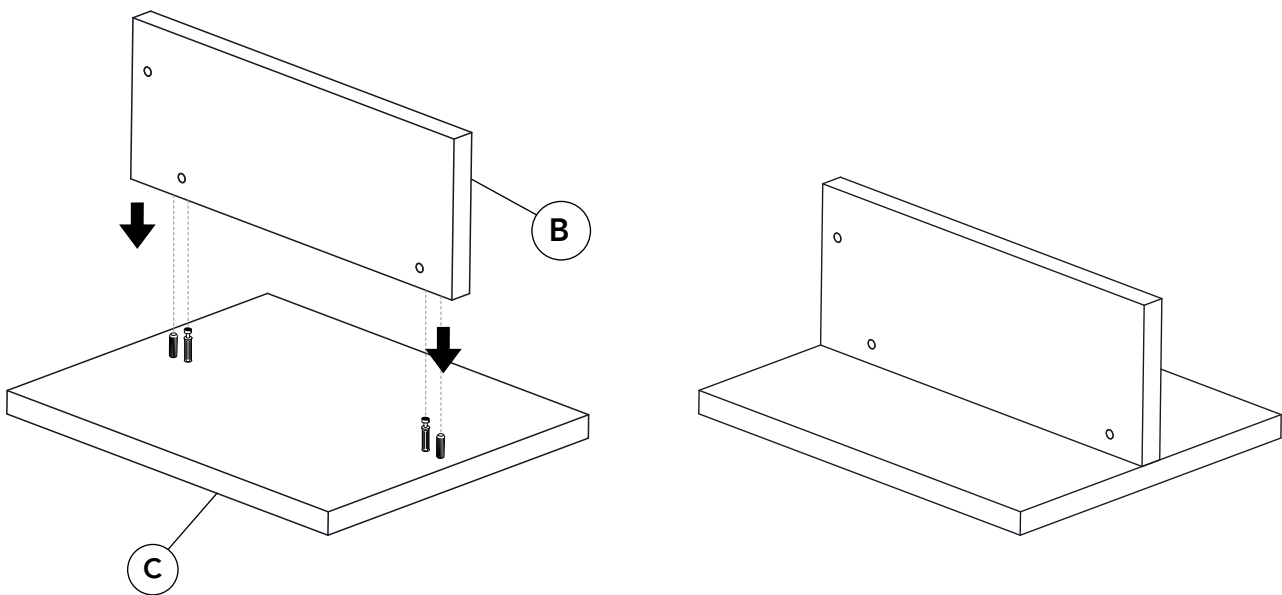
The wood tailor

MOBILIARIO SOSTENIBLE

1



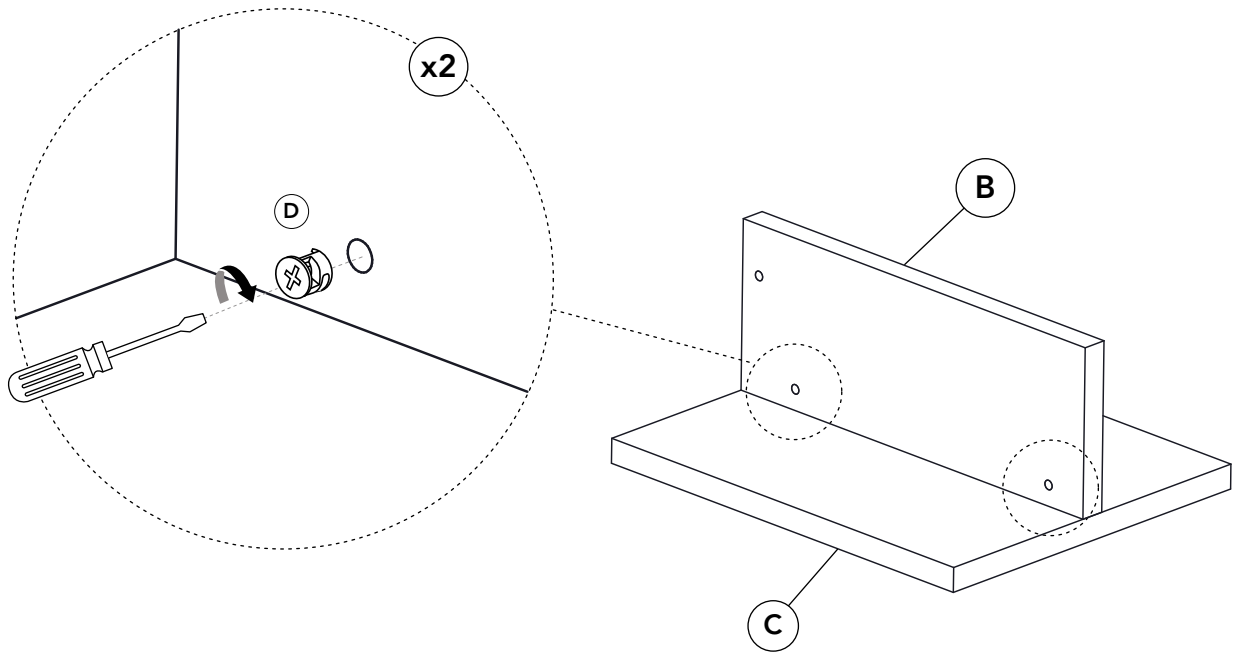
2



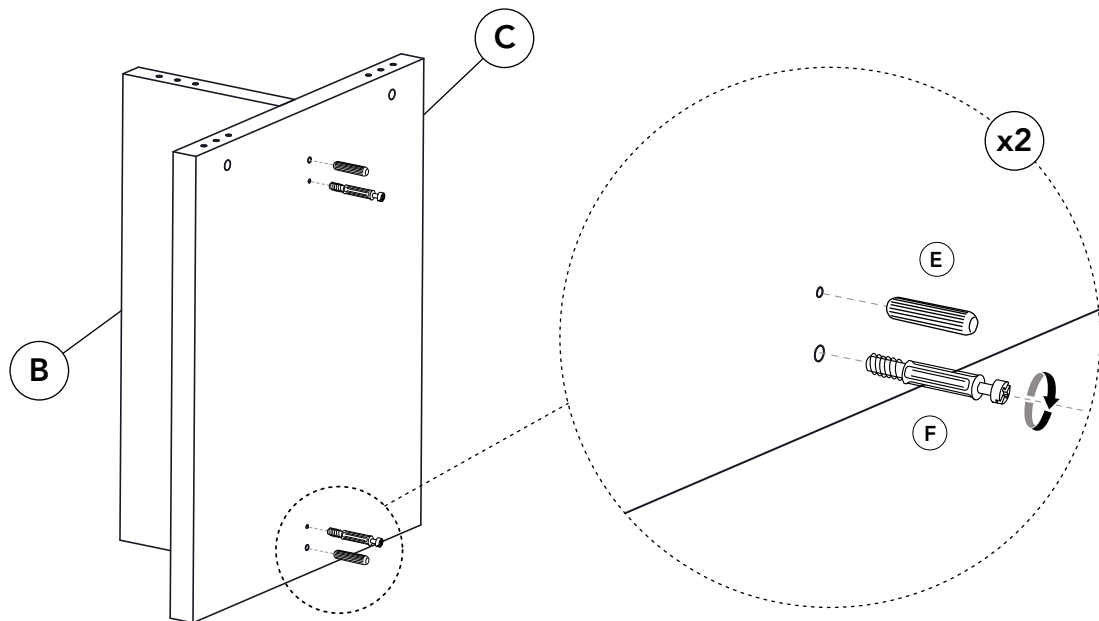
The wood tailor

MOBILIARIO SOSTENIBLE

3



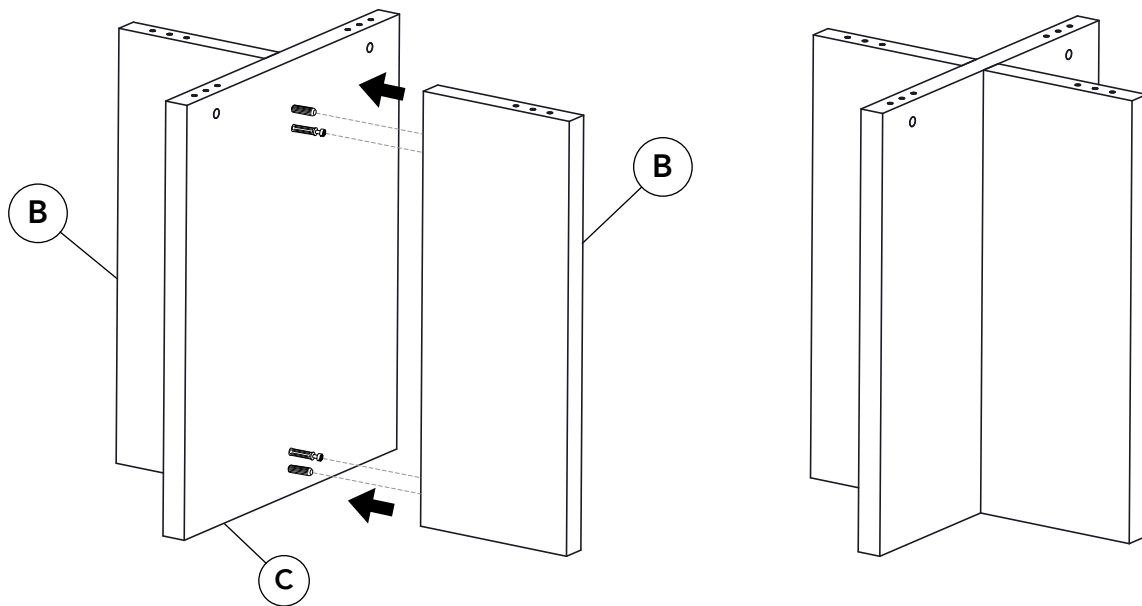
4



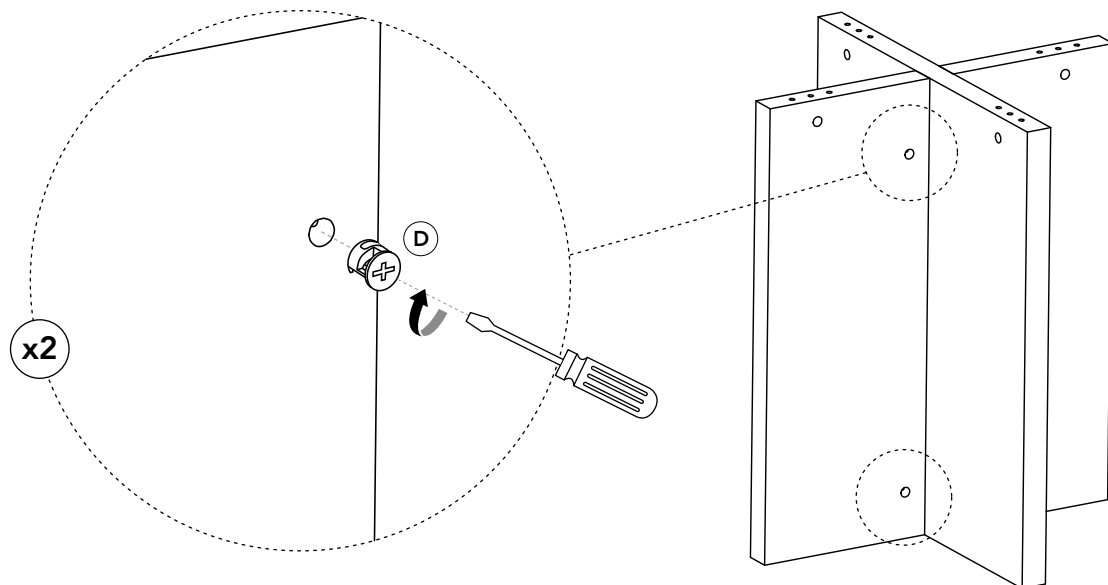
The wood tailor

MOBILIARIO SOSTENIBLE

5



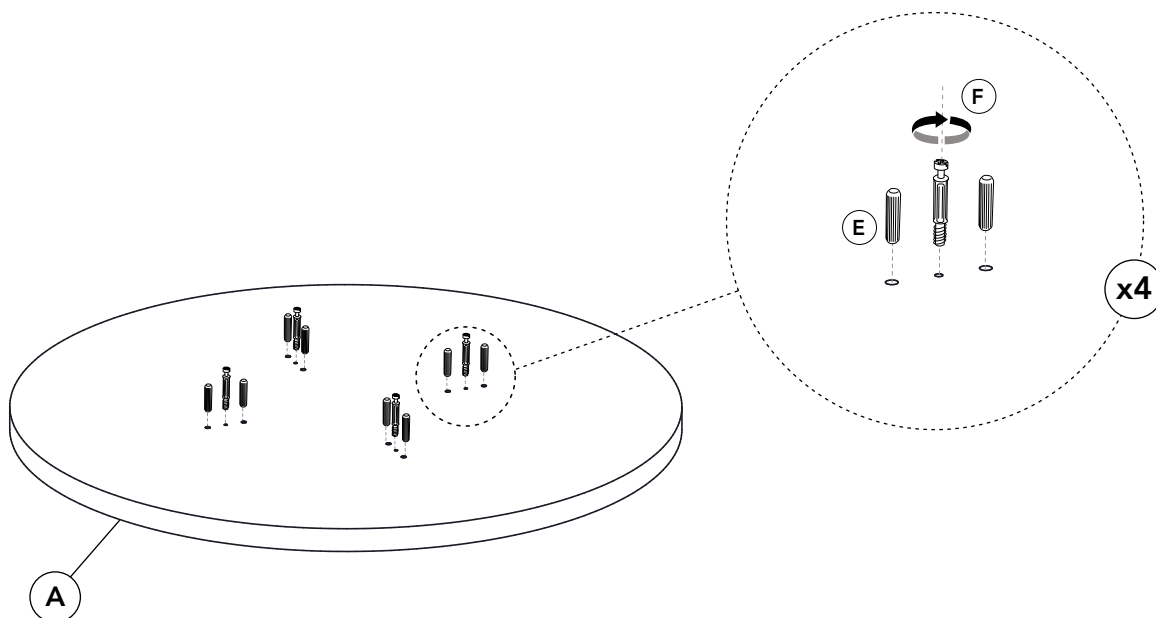
6



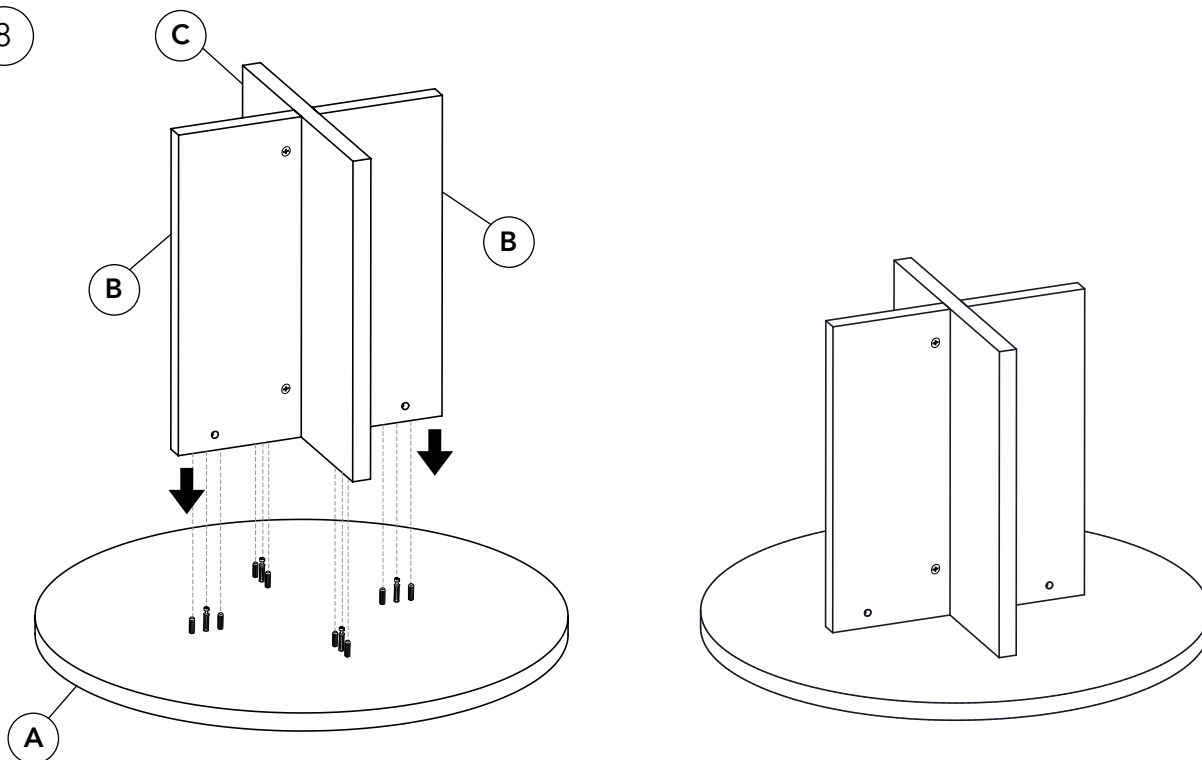
The wood tailor

MOBILIARIO SOSTENIBLE

7



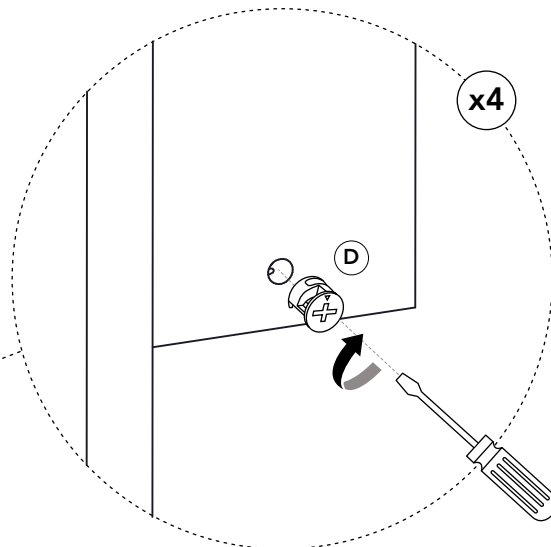
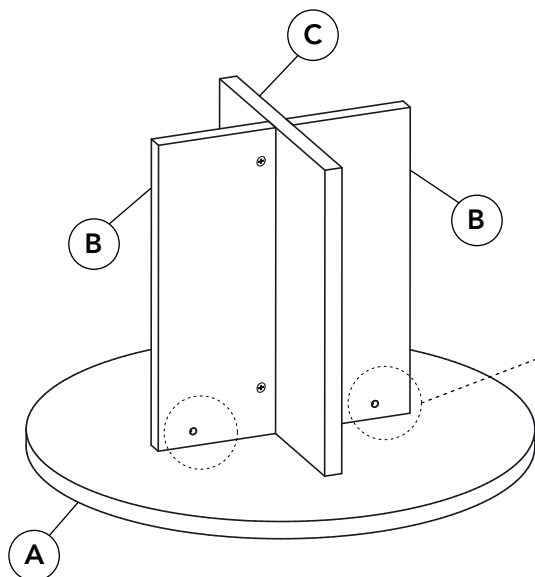
8



The wood tailor

MOBILIARIO SOSTENIBLE

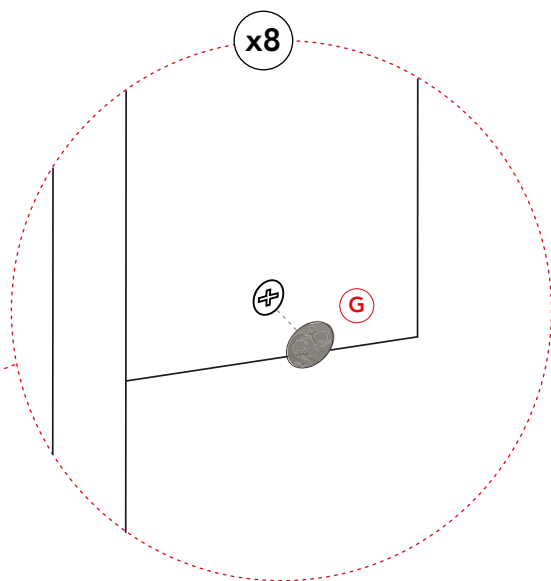
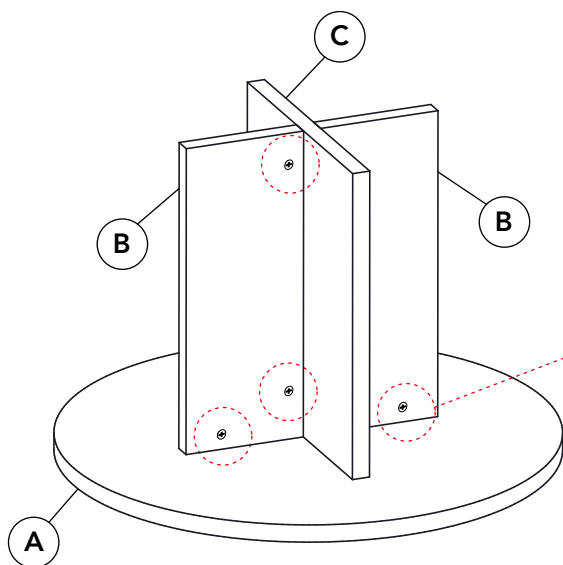
9



10



ESP: Solo para patas de microcemento.
EN: Only for microcement legs.



The wood tailor

MOBILIARIO SOSTENIBLE



The wood tailor

MOBILIARIO SOSTENIBLE

The change starts here.

